

# BLASI SECURITY REVOLVING DOOR SPECIFICATION

**K31 = 3 leaves revolving door / K41 = 4 leaves revolving door**

## PART 1 - GENERAL


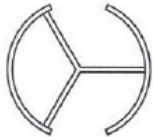

### 1-01 Revolving Door

3 & 4 leaf revolving doors with diameters ranging from 1500mm up to 2500mm come into operation at security doors.

### 1-02 DIN-ISO

Blasi provides and supply's every product in accordance to the European Machine guide lines under CE regulations. We are also proud to confirm that Blasi is DIN ISO approved 9001

### 1-03 Throughput Capacities

Type	Drawing	Diameter	Capacities Persons/min One way	
K31		1800>2200mm	Approx. 12 - 15	<b>X</b>
		2300>2500mm	Approx. 15 - 30	<b>X</b>
K41		1800>2200mm	Approx. 16 – 20	<b>X</b>
		2300>2500mm	Approx. 20 - 28	<b>X</b>

## **PART 2 - PRODUCTS**

### **2-01 Manufacturer**

SECURITY Revolving door K31 & K41 as manufactured by:  
Blasi GmbH, Carl Benz Str. 5-15, 77972 Mahlberg / Germany

T: +49 7822 893-162

F: +49 7822 893-149

WEB : [www.blasi.info](http://www.blasi.info)

You're Contacts:

- **Ralf BUCHER** Sales Manager group subsidiary's
- **Christian HARTMANN** Sales Manager group distributors

### **2-02 Door Construction**

#### **2-02-a Dimensions**

Outer diameter	1500 mm to 2500 mm
Fascia height	250 mm
Passage height	2000 mm to 2500 mm
Bespoke solutions	available on request

#### **2-02-b Door Wings**

Three or four leaves with 65 mm Blasi aluminium profiles, with integrated brush seals. Centre of turnstile with profiles, one electromagnetic lock locked or unlocked by power failure

- With 8, 10 or 12 mm tempered safety glass
- **OPTIONAL:** With 8, 10 or 12 mm laminated safety glass
- **OPTIONAL:** Bullet resistant glass
- **OPTIONAL:** Aluminium panels
- **OPTIONAL:** All type of glass on request
- **OPTIONAL:** Break-Out system

#### **2-02-c Curved Side Walls**

Curved side walls with 65 mm Blasi aluminium profiles

- With 8, 10 or 12 mm laminated safety glass
- **OPTIONAL:** Bullet resistant glass
- **OPTIONAL:** Aluminium panels
- **OPTIONAL:** All type of glass on request

#### **2-02-d Canopy**

Steel frame construction with integrated insulation, bottom view encased with aluminium panels (number of panels is dependent on diameter of the door), ceiling removable for inspections, upper ceiling connection closed with a white chipboard (dust roof and not watertight)

- **OPTIONAL:** Weather-proof canopy with integrated waterspouts
- **OPTIONAL:** Aluminium panels
- **OPTIONAL:** Top finish of the canopy with aluminium plate
- **OPTIONAL:** Integrated recessed low-voltage lighting (20W)
- **OPTIONAL:** Integrated recessed low-voltage lighting (DIODE)

### **2-02-e OPTIONAL: Night lock**

Double leafed, external sliding of drum wall, framed with 65 mm Blasi aluminium profiles. Lock from both sides via profile cylinder shoot bolt lock.

- With 8, 10 or 12 mm laminated safety glass
- **OPTIONAL:** Bullet resistant glass
- **OPTIONAL:** Aluminium panels
- **OPTIONAL:** All type of glass on request

### **2-02-f OPTIONAL:**

Revolving doors are standard assembly on finished floor (finish floor should be + or – 3mm)

- **OPTIONAL:** Floor frame  
Stainless steel (304) floor frame which support the door (installation depth 65 mm)

## **2-03 Door Equipment**

### **2-03-a Drive System:**

Electric mechanism fully automatic with microprocessor controlled system. Turnstile allows a particularly comfortable passage and always stops in an airtight closed position. Maintenance friendly as all periphery connections can be plugged in. Motor with over current detection

Different drive systems:

- **SECURITY LEVEL 1:** Standard with card reader  
The card reader sends an impulse to the revolving door and the turnstile start turning, after 180° the turnstile stops turning and locks.  
NO sensor for unauthorized person.
- **SECURITY LEVEL 2:** With contact mat ant control of unauthorized person  
The card reader sends an impulse to the revolving door, the person steps on the contact mat and the turnstile start turning, after 90° the turnstile stops turning and locks.  
Should an unauthorized person try to use the door in the other direction and steps on the contact mat, then the turnstile stops and turns backwards to push out the unauthorized person
- **SECURITY LEVEL 3:** Sluice function  
On request

### **2-03-b Electricity Voltage:**

Mains voltage:	230VAC / 50 Hz
Control voltage:	24 VDC (protective extra-low voltage)
Motor voltage:	58 V switch mode
Power consumption:	300 VA
Level of protection:	1
Enclosure rating:	IP 20

### **2-03-c Controls and Security equipments:**

- Key operated switch  
OFF – AUTOMATIC – HAND
- Emergency Off switch  
By pushing the emergency off switch the door immediately stops
- Safety vertical contact strips at the edges  
To avoid injuries occurring between rotating door wings and drums walls vertical contact strips are installed. When the strips are activated the immediately stops
- Safety horizontal contact strips for heel protection  
At the bottom part of the door wings, horizontal contact strips are installed for heel protection. When the strips are activated the immediately stops

### **2-04 Door Finish**

The following finishes are available for the enclosure walls, rotating door wings and ceiling

- Painted Coating – RAL colours
- Anodized Coating
- Stainless Steel Cover type 304
  - Brushed
  - Mirror finish
  - As per sample
- Stainless Steel Cover type 316
  - Brushed
  - Mirror finish
  - As per sample
- Bronze Cover
  - Brushed
  - Mirror finish
  - As per sample
- Wood colour according to our palette

## **PART 3 - EXECUTION**

### **3-01 Installation**

#### **3-01-a Inspection:**

Installer must examine the location and advise the Contractor of any site conditions unacceptable for proper installation of product. These conditions include but are not limited to the following:

- Door can be installed on finish floor or with an floor ring
- Finished floor must be dead level at any point within footprint of the door
- Power supply must be installed

Installation shall not begin until these unacceptable conditions are rectified

#### **3-01-b Erection:**

Install revolving doors in accordance with manufacturer's printed instructions. Set units level, plumb, and with uniform hairline joints. Anchor securely into place. Use only factory trained installers

#### **3-01-c Adjustment:**

Installer shall adjust door, hardware and sensors for smooth operation and proper performance

#### **3-01-d Instruction:**

A factory trained installer shall demonstrate to the owner's maintenance crew the proper operation of the door and the necessary service requirement such as lubrication, cleaning and inspection of components upon completion of installation

#### **3-01-e Cleaning:**

Clean metal and glass surfaces carefully after installation to remove excess caulk, dirt and labels

## **PART 4 - WARRANTY**

### **4-01 Guarantee / Warranty**

The guarantee is 1 year of all electric parts, also parts subject to wear and tear. Of all static-parts (frames, construction, bottom ring, glass) the guarantee is 5 years. This guarantee will begin from the time of the installation and commissioning which has to be recorded by a hand over sheet.

***The guarantee is only confirmed, if the installation, commissioning is done as per the manufacturer's instructions or as per supervisor's advice or as per trained installers. The maintenance must be done by proofed and skilled BLASI partners and we will require a maintenance period by 1 time per year as a minimum. To avoid any circumstances of the warranty claim we require that only approved BLASI partners have to maintain and eliminate all disturbances only.***

### **4-02 Lifetime Durability Affirmation**

We declare herewith that the supplied Automatic Door by BLASI is very carefully tested; well engineered, long time checked and equipped with the newest safety devices. BLASI develops Automatic Door Systems since almost 40 years and have a brilliant reputation for highly engineered products and the design. Our quality management and consequent tests for the lifetime and also the safety of our products are made in accordance to the British standards, the European standards and with the German DIN requirements which should give every user of our products a very high confidence in our complete product range. We therefore can grant to all of our clients a **durability affirmation** with our products of **minimum 15 years**.

With the right support from your local representative partner of BLASI and a yearly maintenance can you count on a proper support and help at all circumstance. If you take care about your door systems can you expect a longer lifetime as with the herewith certified 15 years if you use our systems in a proper manner.

**BLASI GmbH reserves the right to change this specification at any time without any pre-notification.**

For further questions please contact:

#### **BLASI GmbH**

Carl-Benz-Str. 5-15  
77972 Mahlberg / Germany

T: +49 7822 893-0

F: +49 7822 893-119

Ralf Bucher

[ralf.bucher@blasi.info](mailto:ralf.bucher@blasi.info)

Christian Hartmann

[christian.hartmann@blasi.info](mailto:christian.hartmann@blasi.info)