

The Electro Twix turnstile is one of the most efficient and versatile models in the Electro range of turnstiles. An extremely durable turnstile providing high traffic flow and reliability make it an ideal solution where a more utilitarian product is required.

The Electro Twix has a neat design that can be finished in a range of different materials such as powder coated steel, brushed or polished stainless steel.

The rugged design and use of high quality materials ensures uninterrupted operation of the Electro Twix turnstile. Equipped with “antipanic” function for arrangement of free access in case of emergency. The possibility of integration of the device with any access control systems is also provided. Backup battery, remote control panel and card readers for access control are delivered optionally.

## Controlled by

- Access control system
- Manual control

When power goes OFF both directions are free.

 **60**  
pers/min  
FREE ACCESS

 **25**  
pers/min  
CROSSING CAPACITY

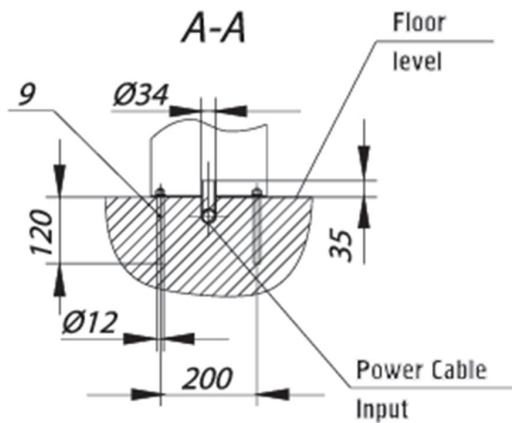
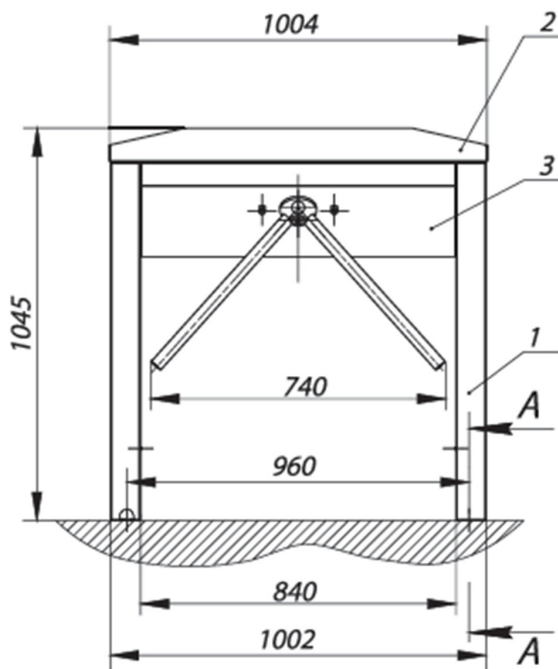
 **560**  
mm  
PASSAGE WIDTH

## Additional Options

- Posts and railings for readers
- Readers for access control system
- Remote radio controller
- Backup battery 12 V, 7 Ah

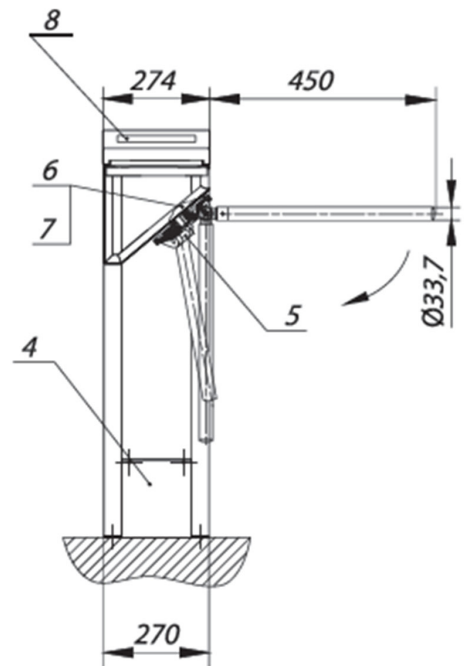
## Technical Specifications

Width / Depth	724 mm
Length	1004 mm
Height	1045 mm
Weight (no more than)	45 kg



## Electrical Specifications

- Voltage:
  - from the AC (100–240) V, 50/60 Hz
  - from a DC source 12 V
- Maximum power consumption: 50 W per pass



- 1 - post;
- 2 - top cover;
- 3 - housing;
- 4 - side cover;
- 5 - hub with three rods;

- 6 - control mechanism;
- 7 - damper;
- 8 - LED display;
- 9 - anchor Redibolt