

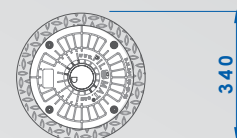
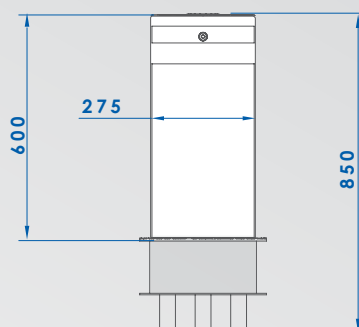
The removable PILOMAT **275/RM 600** are typically used to prevent the parking of unauthorised vehicles, transit and access by unauthorised vehicles in driveways, and protection of shatter-proof windows. Because of the procedure of parking, it is advised that the removable PILOMAT be used only if the amount of daily movements is limited (if not, the automatic PILOMAT should be used) or when the depth of installation does not allow for the installation of the mobile PILOMAT.

GENERAL FEATURES

The **275/RM 600** removable PILOMAT have been designed and built with architectural appearance similar to that of the retractable PILOMAT and therefore also allow for the combined use of both versions.

The **275/RM 600** PILOMAT removable bollards are available in the standard version or with a safety lock to prevent the easy removal of the bollard by unauthorised persons.

The removal of the bollard is carried out using a mechanical key that unlocks the restraint system, allowing for the lifting and removal from the base of the bollard previously cemented into the ground. The base is made up of an integrated enclosure and, once removed, the bollard should only be moved and eventually placed in another stand at the side of the point that is protected.



REMOVABLE PILOMAT	FE 370 NORMAL STEEL (IRON)
REMOVABLE PILOMAT DIMENSION	Ø 275 mm
REMOVABLE PILOMAT HEIGHT	600 mm
REMOVABLE PILOMAT THICKNESS	5 mm
REMOVABLE PILOMAT FINISH	POLYESTER POWDER PAINT - STANDARD GREY ANTHRACITE
REFLECTING ADHESIVE STRIP	YES – HEIGHT 55 mm
IMPACT RESISTANCE (WITHOUT DEFORMATION)	40.000 J
BREAKOUT RESISTANCE	200.000 J
NOMINAL PILOMAT WEIGHT (WITHOUT BASEMENT)	27 kg