

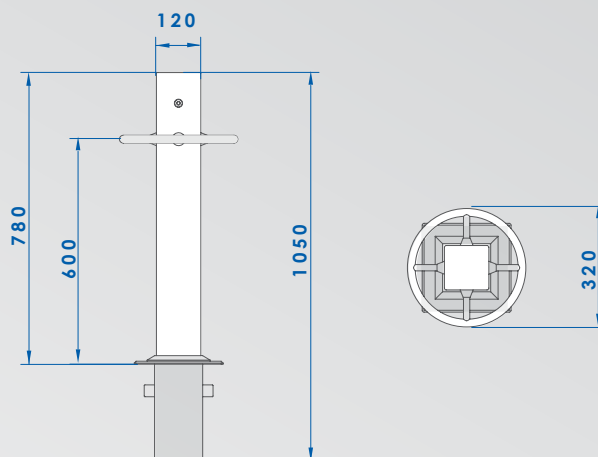
The removable PILOMAT 120/RM 800 are typically used to prevent the parking of unauthorised vehicles, transit and access by unauthorised vehicles in driveways, and protection of shatter-proof windows. Because of the procedure of parking, it is advised that the removable PILOMAT be used only if the amount of daily movements is limited (if not, the automatic PILOMAT should be used) or when the depth of installation does not allow for the installation of the mobile PILOMAT.

GENERAL FEATURES

The 120/RM 800 removable PILOMAT have a square base, in the interior there is reinforced steel meant to ensure high resistance to breakage.

The 120/RM 800 removable PILOMAT are complete with safety lock, round handle and the roller is placed at the base for easy relocation.

The removal of the bollard is carried out using a mechanical key that unlocks the restraint system, allowing for the lifting and removal from the base of the bollard previously cemented into the ground (in addition a plate enclosure base is provided). Once removed, the bollard can be moved and placed on its pedestal at the side of the point protected.



REMOVABLE PILOMAT	AISI 304 STAINLESS STEEL
REMOVABLE PILOMAT DIMENSION	120 X 120 mm
REMOVABLE PILOMAT HEIGHT	780 mm
REMOVABLE PILOMAT THICKNESS	10 mm
REMOVABLE PILOMAT FINISH	BRUSHED
REFLECTING ADHESIVE STRIP	NO
IMPACT RESISTANCE (WITHOUT DEFORMATION)	20.000 J
BREAKOUT RESISTANCE	250.000 J
NOMINAL PILOMAT WEIGHT (WITHOUT BASEMENT)	35 kg