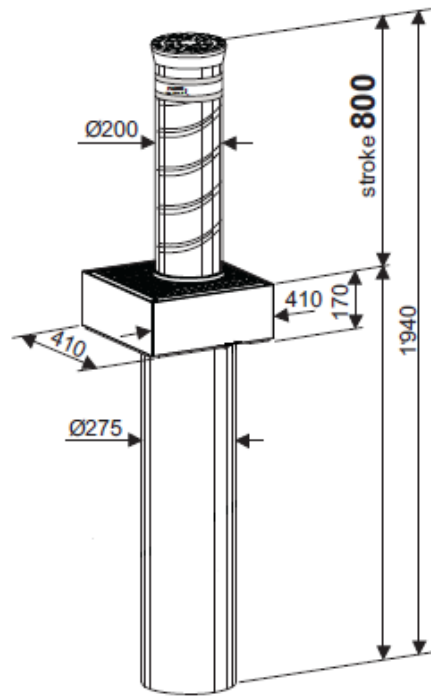
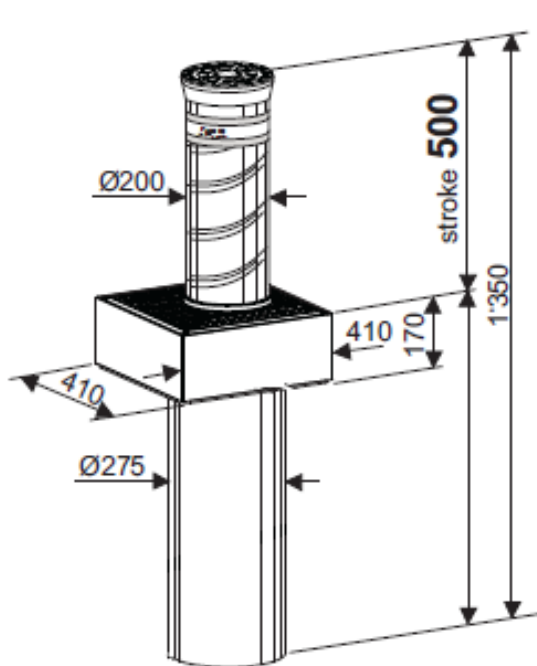


Macs Stainless Steel Vigilo 2250 & 2280 Automatic Bollards

Stainless Steel Automatic Bollard with Built In Hydraulic Pump
200mm Diameter x 500mm High / 200mm Diameter x 800mm High



TECHNICAL DATA

Oil-hydraulic motor-pump unit - Vico 2240 -

Hydraulic pump.....	P10
Pump flow rate.....	4.45 l/min.
Average working pressure.....	2 MPa (20 bar)
Max. Achievable pressure.....	4 MPa (40 bar)
Working temperature.....	-20°C +80°C
Hydraulic oil type.....	Oil Fadini
Static weight of pump assembly.....	10 Kg
Pump protection standards.....	IP 54

Electric motor

Power yield.....	0.25 KW (0.33 HP)
Supply voltage.....	230 V
Frequency.....	50 Hz
Absorbed current.....	1.8 A
Absorbed power.....	330 W
Capacitor.....	20 µF
Motor revolutions.....	2800 rpm
Service mode.....	S3

Performance Vigilo 2250 - inox -

Duty cycle.....	4s Rise - 30s Dwell - 4s Lower - 30s Dwell
Time of one complete cycle.....	68s
Complete cycles Rise - Dwell - Lower - Dwell.....	No.53/hour
Cycles per year (8 hours' service per day).....	No.154'000

Hydraulic actuator

Piston travel time Vigilo 2250 inox.....	4 s
Piston travel time Vigilo 2280 inox.....	6 s
Service stroke Vigilo 2250 inox.....	500 mm
Service stroke Vigilo 2280 inox.....	800 mm
Shaft diameter.....	16 mm
Piston diameter.....	30 mm
Pre-set Pushing Power.....	15 daN
Protection standard complete.....	IP 557

Post weights Vigilo Range - inox -

Static weight Vigilo 2250 inox (stroke 500 mm).....	102 Kg
Static weight Vigilo 2280 inox (stroke 800 mm).....	131 Kg

Construction features

Material of the enclosure and structure.....	"Fe 360"
" of the stainless steel post.....	Inox "Aisi 304"

Performance Vigilo 2280 - inox -

Duty cycle.....	6s Rise - 30s Dwell - 6s Lower - 30s Dwell
Time of one complete cycle.....	72s
Complete cycles Rise - Dwell - Lower - Dwell.....	No.50/hour
Cycles per year (8 hours' service per day).....	No.146'000

Macs Automated Bollard Systems Ltd
Unit 8.1b Tameside Business Park
Windmill Lane
Denton
Manchester
M34 3QS

Tel: 0161 320 6462

Fax: 0161 320 6463

E-Mail: enquiries@macs-bollards.com

Web: www.macs-bollards.com