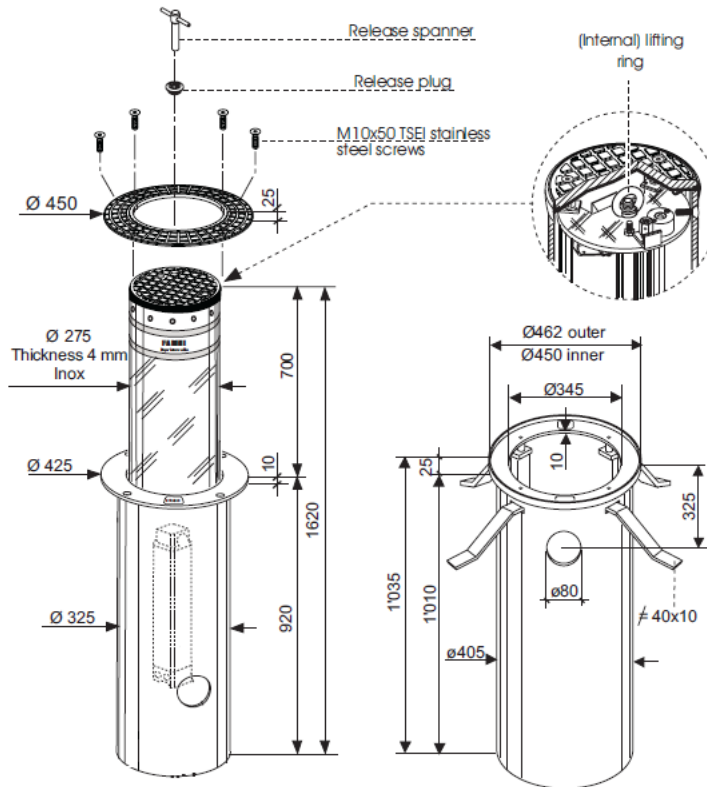


Macs Strabuc 918 Automatic Bollard

Stainless Steel Automatic Bollard with Built In Hydraulic Pump

275mm Diameter x 700mm High



TECHNICAL DATA

ELECTRIC MOTOR

Power Output	0.25KW (0.33HP)
Absorbed Power	330W
Supply Voltage	230V±10%
Frequency	50Hz
Absorbed Current	1.8A
External Capacitor	20µF
Motor revolution	2'800 rev/1'
Intermittent Service	S3

HYDRAULIC MOTOR-PUMP

Hydraulic Pump	P10
Pump Flow Rate	4.45 l/1'
Working Pressure	2 MPa (20bars)
Maximum Pressure	4 MPa (40bars)
Working Temperature	-20°C +80°C
Type of Oil	OIL A15 by AGIP
Static Weight	10Kg
Protection Standards	IP54

OIL-HYDRAULIC ACTUATOR

Piston Diametre	30 mm
Shaft Diametre	16 mm
Piston Stroke	740 mm
Travel Time	6 sec
Pre-set Pushing Power	18 daN

PERFORMANCE

Impact Resistance	10'000J
Maximum Load on Strabuc 918	20'000Kg

Duty Cycle: 6s Ascent - 30s Dwell - 6s Discent - 30s Dwell
 Time of one complete cycle 72 seconds
 Comp. Cycles Ascent-Dwell-Discent-Dwell No.50/Hour
 Cycles per year (8 hours'service per day) No. 146'000

GENERAL FEATURES

Weight of Strabuc 918, Complete	129Kg
Complete Degree of Protection	IP67
Led, Solenoid Valve & Beeper Power Supply	230V 50Hz
Treatment to the structural elements	Cataphoresis

CYLINDRICAL GROUND CONTAINER

Material	Sheet Iron
Treatment	Cataphoresis
Calendered Sheet Thickness	1.5mm
Fixing Flange Thickness	10mm
No.4 Bolts for plate fixing	M10x35
No.4 Washers for fixing bolts	ø10
No.4 Fixing plates	40x10 plate
Complete Weight	25Kg

Macs Automated Bollard Systems Ltd
 Unit 8.1b Tameside Business Park
 Windmill Lane
 Denton
 Manchester
 M34 3QS

Tel: 0161 320 6462

Fax: 0161 320 6463

E-Mail: enquiries@macs-bollards.com

Web: www.macs-bollards.com