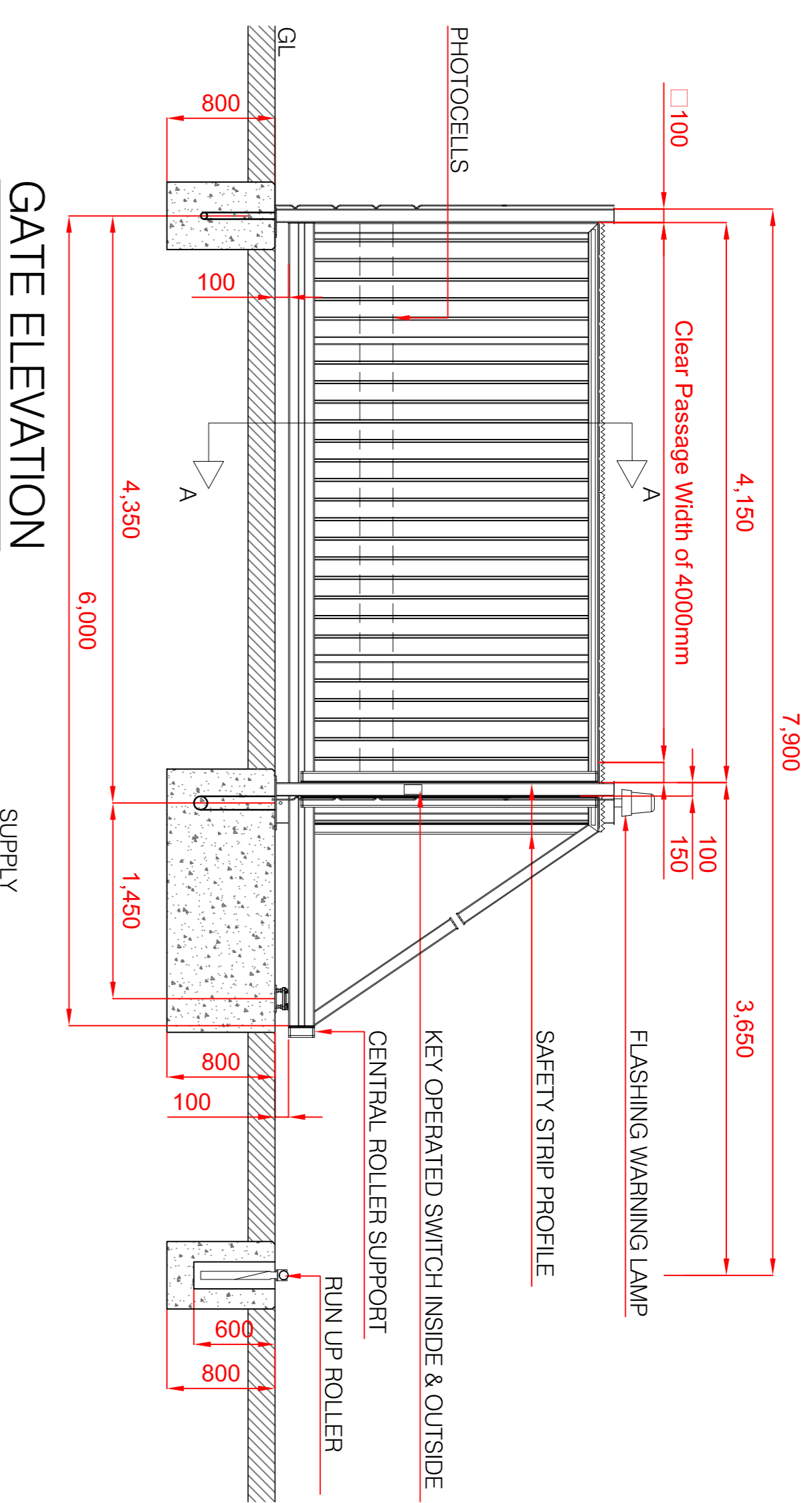
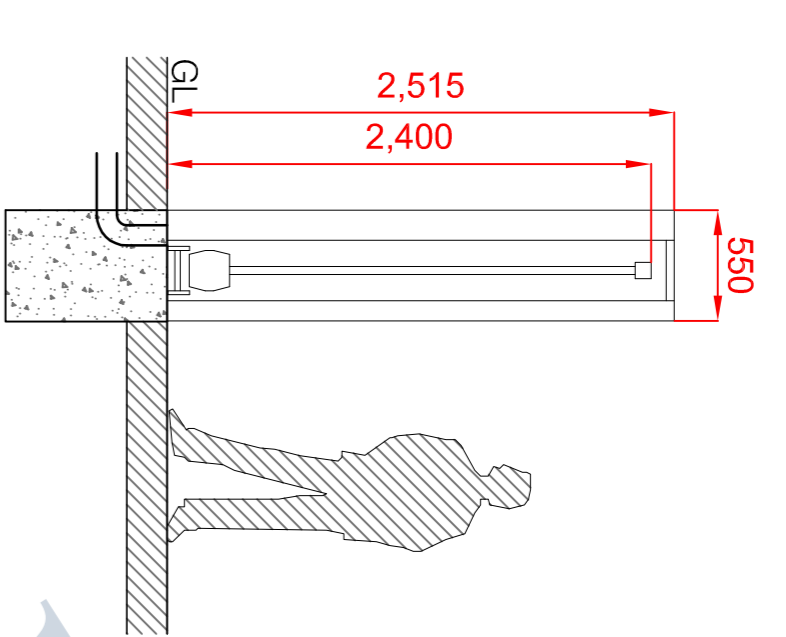


## GATE OPENING TO THE RIGHT VIEWED FROM THE OUTSIDE

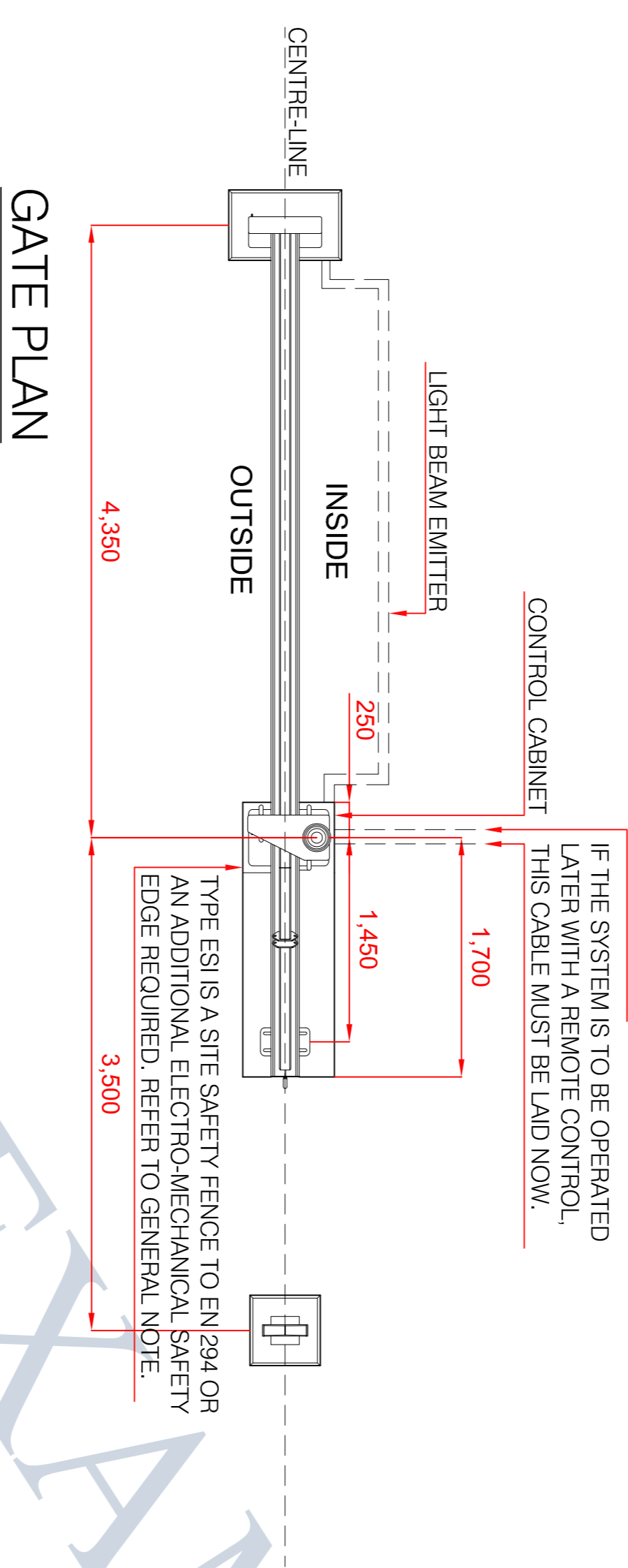
GATE INFILL 25/30MM BOX SECTION (MORE OPTIONS AVAILABLE, SEE ATTACHED DRAWING)



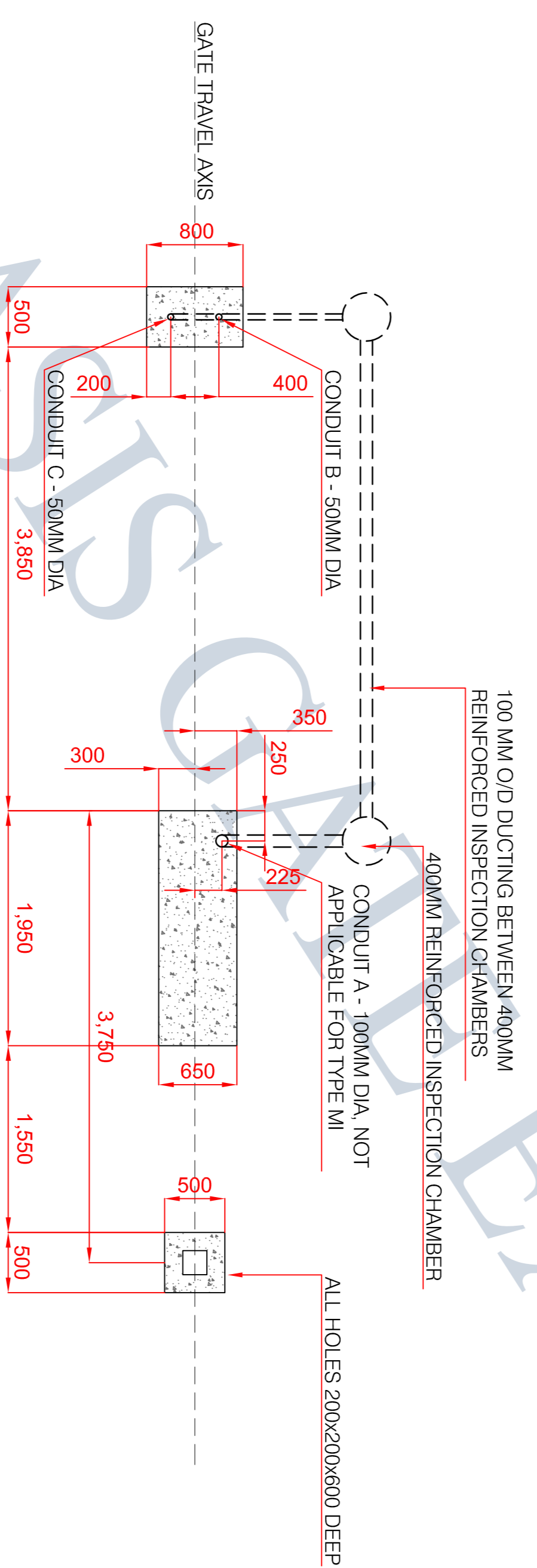
GATE ELEVATION



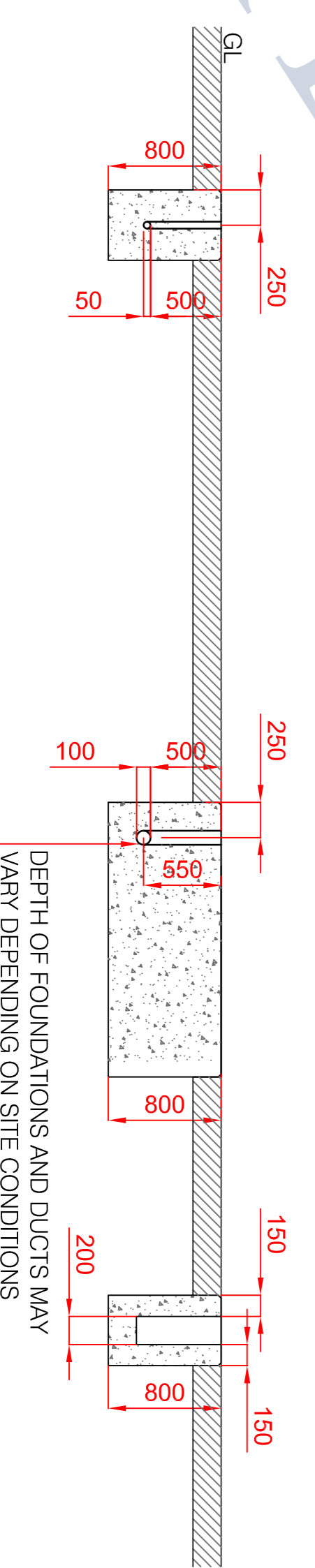
GATE SECTION A-A



GATE PLAN



GATE FOUNDATION/ DUCT PLAN



GATE FOUNDATION/ DUCT SECTION

### GENERAL NOTES:

- 1) ALL MEASUREMENTS ARE IN MILLIMETERS.
- 2) DIMENSIONS OF FOUNDATIONS FOR GROUND CLASSIFICATION 3-4, IF THE CLASSIFICATION IS UNDER 3, THE FOUNDATIONS MUST BE EXTENDED ACCORDINGLY. ALL FOUNDATIONS MUST BE FOUNDED.
- 3) VDE GUIDELINES TO LAY ELECTRIC CABLES.
- 4) TYPE ESI IS A SITE SAFETY MESH FENCE TO EN 294 OR AN ADDITIONAL ELECTRO-MECHANICAL SAFETY EDGE REQUIRED, WHERE SAFETY MESH FENCE IS IN CLOSE PROXIMITY TO THE CONTROL CABINET, MESH PANEL TO BE A MAXIMUM SIZE OF 25X25MM, WHERE SAFETY MESH FENCE IS TO BE SET BACK FROM THE CONTROL CABINET A MINIMUM 1.2M, MESH PANEL TO BE A MAXIMUM SIZE OF 200X25MM, DEPTH OF FOUNDATIONS AND DEPTH OF DUCTS MAY VARY DEPENDING ON SITE CONDITIONS.
- 5)

### NOTES

| Rev | Date | Change | Drawn | Checked | Approved |
|-----|------|--------|-------|---------|----------|
|     |      |        |       |         |          |
|     |      |        |       |         |          |

Project:  
**INOVA Basis Model Gate**  
 4.0m Clear Opening  
 2.4m High

### Plans, Elevations & Details

| Design: | CR       | Drawn: | RK           |
|---------|----------|--------|--------------|
| CHK'd:  | CR       | App'd: | CR           |
| Date:   | Jan 2011 | Scale: | Nat to Scale |



76 Derrinford Road  
 Derrinford, Co. Kerry  
 Ireland  
 Tel: 0945 331 3377  
 Fax: 0945 331 3388  
 sales@inovagates.com

**PLEASE CONTACT OUR  
 INOVA GATES OFFICE FOR  
 SITE SPECIFIC DRAWINGS**